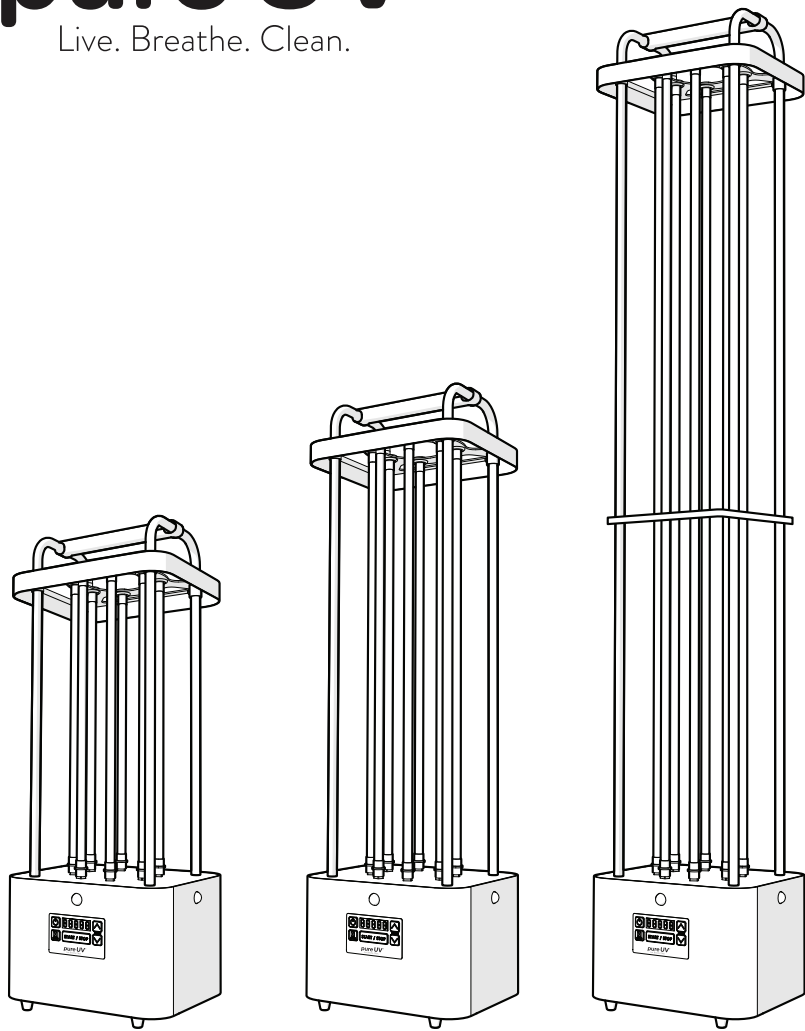


pure UV[®]

Live. Breathe. Clean.



OctaClean

User Manual

IMPORTANT SAFEGUARDS
READ AND FOLLOW ALL SAFETY INSTRUCTIONS
SAVE THESE INSTRUCTIONS

CAUTION – RISK OF PERSONAL INJURY

WARNING: Risk of electric shock. Can cause injury or death. Disconnect all remote electric power supplies before servicing.

WARNING: Do not expose eyes or skin to UV light. UV light is harmful to bare skin and eyes. Never look at bulbs while illuminated.

CAUTION: Breakable glass hazard. Use caution when handling the bulb(s) and wipe clean if dirty.

CAUTION: This device contains mercury in the sealed ultraviolet bulb(s). Dispose of used bulbs according to regulations.

Do not use this equipment for other than intended use.

This luminaire is designed for use with germicidal lamps and must be operated in compliance with competent technical directions to prevent the user's eye and bare skin from exposure to harmful UV radiation.

When using electrical equipment, basic safety precautions should always be followed, including the following:

- a. This equipment is designed for use with germicidal UV radiation sources and must be operated in compliance with competent technical directions to prevent risk of personal injury from UV radiation.
- b. UV radiation can pose a risk of personal injury. Overexposure can result in damage to eyes and bare skin.
- c. IT IS THE RESPONSIBILITY OF THE OPERATOR TO ENSURE THAT PERSONS WILL NOT BE EXPOSED TO EXCESSIVE UV OR OPTICAL RADIATION DURING EQUIPMENT OPERATION.
- d. Equipment should be operated in locations where it will not readily be subjected to tampering by unauthorized personnel.
- e. Maintenance and servicing of this UV generating equipment shall be performed by authorized personnel.
- f. When replacing lamps, replace them only with the lamps for which the equipment is marked and intended.
- g. The use of accessory equipment not recommended by the manufacturer may cause an unsafe condition.

TECHNICAL SPECIFICATIONS

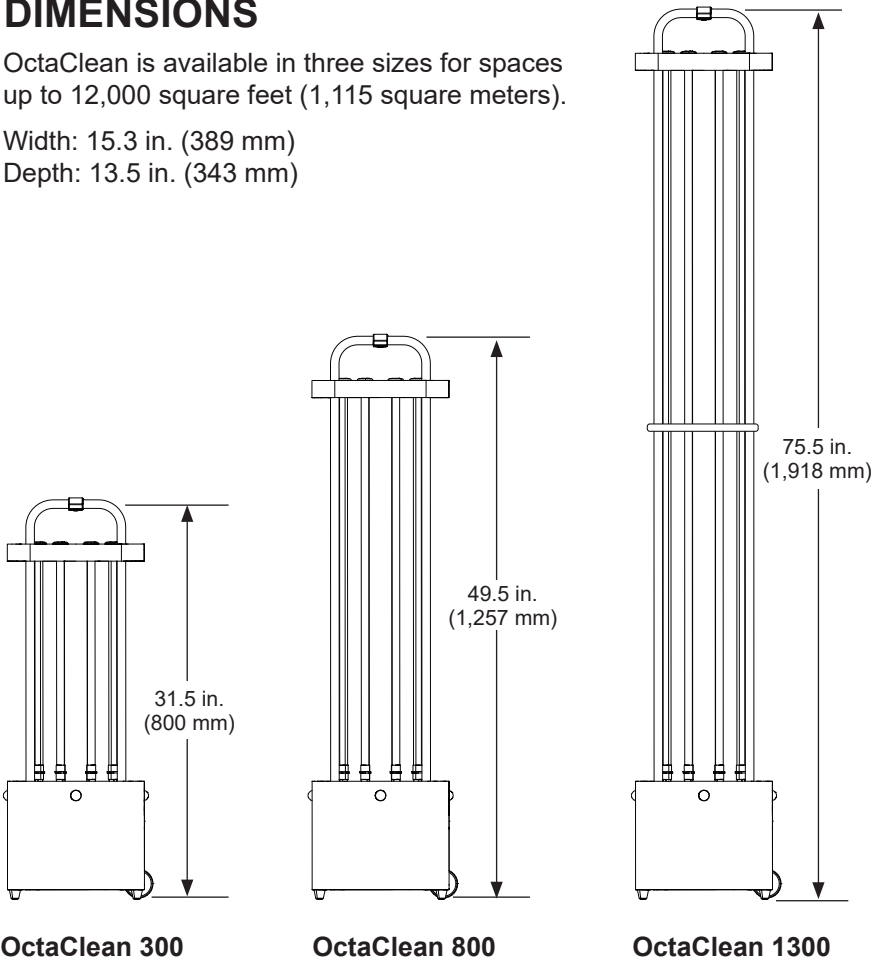
Model	Weight	Power	Current	Coverage Area
OctaClean 300	40 lb (18.1 kg)	300 W	2.5 A	Up to 3,600 sq ft (334 sq m)
OctaClean 800	50 lb (22.7 kg)	792 W	6.6 A	Up to 8,000 sq ft (743 sq m)
OctaClean 1300	60 lb (27.2 kg)	1,304 W	10.9 A	Up to 12,000 sq ft (1,115 sq m)

DIMENSIONS

OctaClean is available in three sizes for spaces up to 12,000 square feet (1,115 square meters).

Width: 15.3 in. (389 mm)

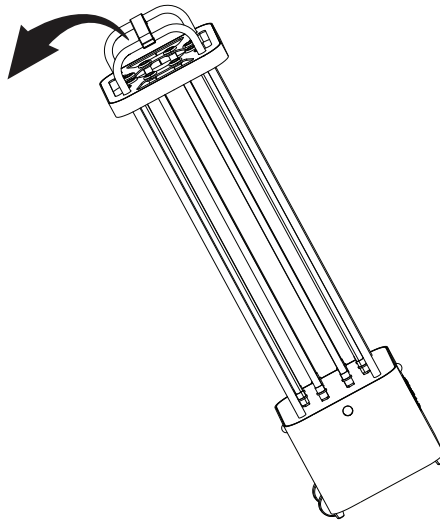
Depth: 13.5 in. (343 mm)



PREPARATION

For best results, place OctaClean in the center of the room where UV-C light will not be obstructed. Follow these general guidelines:

- Operate indoors in dry locations with temperatures ranging between 40 to 95°F (4.4 to 35°C).
- Operate in unoccupied areas only.
- Post the provided notices of operation when in use.
- See the following page for recommended exposure times and UV-C doses for 99.9% inactivation of common pathogens.
- To reposition OctaClean, firmly grip the handle and tilt OctaClean on the wheel side, and then roll to a new location.



UV-C INTENSITY AT 10 FEET (3.05 M)

Model	UV intensity at 10 ft (3.05 m)*	UV intensity at 25 ft (7.62 m)*
OctaClean 300	32 $\mu\text{W}/\text{cm}^2$	5 $\mu\text{W}/\text{cm}^2$
OctaClean 800	63 $\mu\text{W}/\text{cm}^2$	10 $\mu\text{W}/\text{cm}^2$
OctaClean 1300	136 $\mu\text{W}/\text{cm}^2$	24 $\mu\text{W}/\text{cm}^2$

* Average intensity values. Actual intensity values vary depending on the orientation of direct exposure to the bulbs.

RECOMMENDED EXPOSURE TIMES

Run Time	OctaClean UV-C Dose ($\mu\text{Ws}/\text{cm}^2$)					
	10 feet (3.05 m)			25 feet (7.6 m)		
	300	800	1300	300	800	1300
300 seconds (5 minutes)	9,600	18,900	40,800	1,500	3,000	7,200
600 seconds (10 minutes)	19,200	37,800	81,600	3,000	6,000	14,400
900 seconds (15 minutes)	28,800	56,700	122,400	4,500	9,000	21,600
1,800 seconds (30 minutes)	57,600	113,400	244,800	9,000	18,000	43,200

To calculate recommended exposure time (in seconds), divide the UV-C dose by the UV-C intensity at the specific distance.

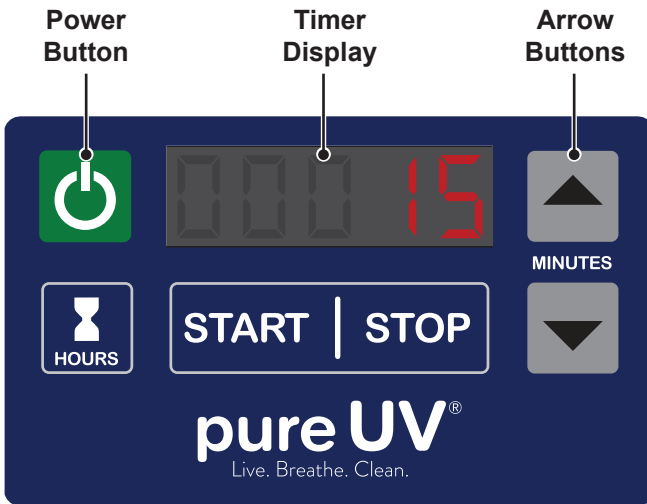
Recommended UV-C dose for 3-log (99.9%) inactivation of common pathogens*

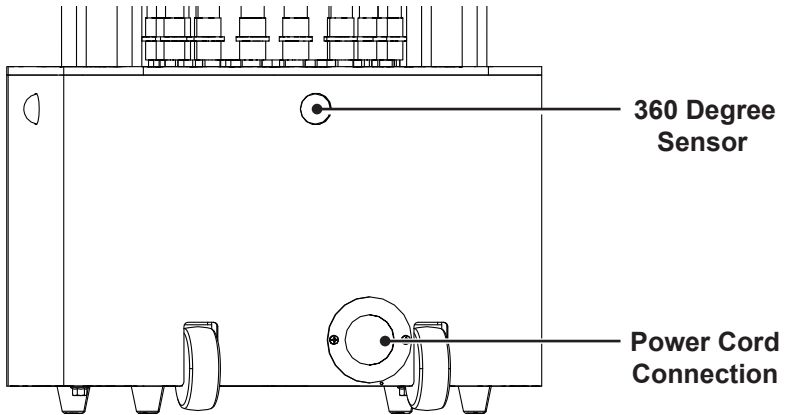
Pathogen	UV-C Dose ($\mu\text{Ws}/\text{cm}^2$)
Bacillus Anthracis (Anthrax)	17,000
Bacillus Anthracis Spores (Anthrax spores)	88,000
Clostridium Difficile Spores (C.diff spores)	46,000
Clostridium Tetani (Tetanus)	37,000
Escherichia Coli (E. Coli)	15,000
Mycobacterium Tuberculosis	16,000
Staphylococcus Aureus (MRSA)	17,000
Vibrio Comma (Cholera)	13,000
Bacteriophage (E. Coli)	17,000
Infectious Hepatitis	11,000
Influenza	13,000

* Recommended UV-C dosages are based on publicly available pathogen inactivation data. Utilizing OctaClean at the specified distances from the treatment surface for an appropriate run time (one that, when multiplied by the nominal UV-C intensities, achieves a UV-C exposure dosage equal to or greater than the listed dosages) should achieve a UV-C dosage known to inactivate 99.9% of the listed pathogens. PureUV does not guarantee pathogen inactivation rates. Results may vary due to variables associated with each unique use case.

OPERATION

1. Position OctaClean in the center of the area to be exposed to UV-C light. Make sure no people, animals, or plants are in the space.
2. Secure the removable power cord to the back of the housing. Connect the plug to a 120 V, 60 Hz grounded power outlet.
3. Press the Power button. The default exposure run time will show in minutes on the display panel (15 minutes).
4. Set the exposure run time by pressing the arrow buttons. *Changing the run time will set a new default.*
5. When ready to initiate, press the Start/Stop button and exit the room within 60 seconds. *The exposure run time begins after a 60 second countdown.* OctaClean will automatically turn off after the run time has ended.
6. If needed, reposition OctaClean to expose obstructed areas and repeat the procedure.





360 DEGREE SENSORS

OctaClean is equipped with four sensors that automatically stop operation and send OctaClean into Lockout Mode.

To restart the full exposure cycle, press the Start/Stop button or use the remote to restart operation.

LOCKOUT MODE

Lockout mode prevents OctaClean from operating when someone is in the room. During Lockout mode, PAUSE appears on the display. Lockout mode is initiated when one of the following events occurs:

- Motion is detected during last 10 seconds of the 60 second countdown.
- Motion is detected within 10 seconds before a remote button push.
- Motion is detected during operation.

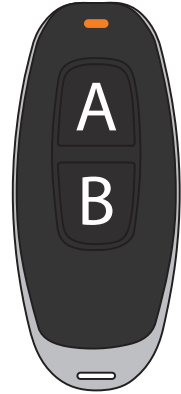
To exit Lockout Mode, press the Start/Stop button. The default run time will reset and operation can be restarted.

REMOTE CONTROL

The remote control allows you to operate OctaClean from outside the room up to 100 feet (31 meters).

To initiate OctaClean using the remote:

1. Position OctaClean in the center of the area to be exposed to UV-C light. Make sure no people, animals, or plants are in the space.
2. Plug the power cord into 120 V, 60 Hz grounded power outlet, and then press the Power button.
3. Set the desired exposure run time (minutes) by pressing the arrow buttons. Exit the room.
4. Press A or B on the remote. OctaClean will run for the set run time. *If motion is detected, reenter the room and press the Start/Stop button.*



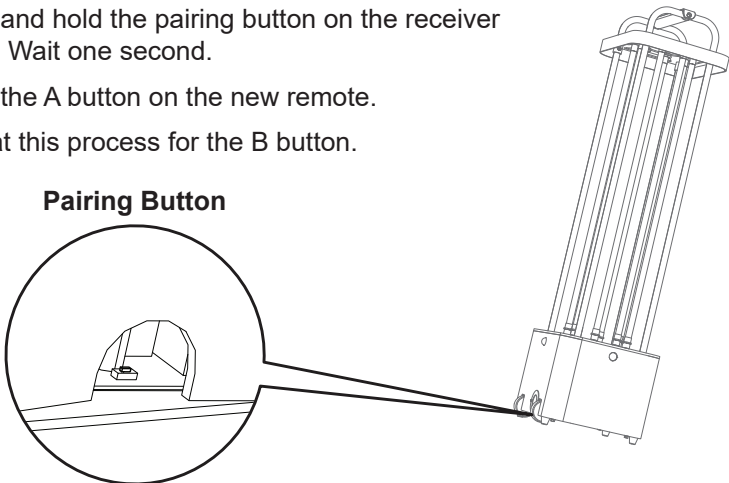
To stop operation using the remote, press A or B. The exposure run time will reset.

Pairing a replacement remote

If you lose your original remote, contact PureUV for a replacement.

To pair a new remote with OctaClean:

1. Connect power and turn on OctaClean. Locate the pairing button on the underside of the housing.
2. Press and hold the pairing button on the receiver board. Wait one second.
3. Press the A button on the new remote.
4. Repeat this process for the B button.



TROUBLESHOOTING

Disconnect power before servicing!

- Check that all bulbs are securely installed.
- Check that adequate power is being supplied to the unit at the power outlet.

MAINTENANCE

Disconnect power before servicing!

Check and clean the bulbs before each use to ensure optimal performance. Annual lamp replacement is recommended. Avoid exposure to direct or reflected UV light.

Usage Meter

To ensure optimal performance and safety, Pure UV recommends replacing the bulbs after 10,000 hours of operation.

To view the total number of hours OctaClean has been operated, press the Hours button on the display. The total number of hours appears on the display panel.

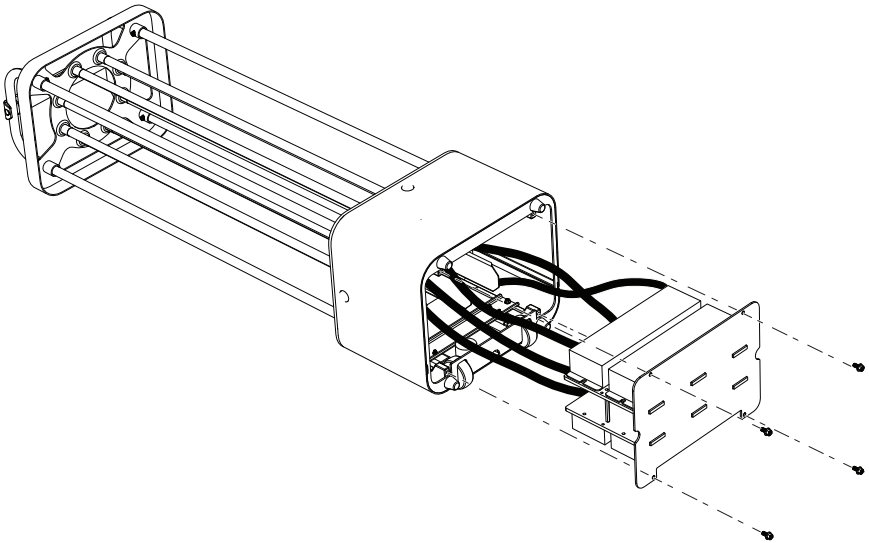
Replacing the bulbs

Do not touch the bulb surface with your skin. Pure UV recommends replacing the bulbs after 10,000 hours of operation.

1. Make sure power is disconnected. If recently operated, allow the bulb(s) cool for at least 15 minutes before proceeding.
2. Gently pull the bulb upward to loosen from the connector, and then carefully remove the bulb with a downward and outward motion. Repeat for remaining bulbs.
3. Insert the new bulb(s) and secure in place.
4. Dispose of bulbs in accordance with local regulations.

Replacing the ballasts

1. Disconnect power and gently tilt and lay OctaClean on a sturdy surface with the wheel side down.
2. Remove the four screws securing the ballast assembly to the housing.
3. Carefully pull the assembly outward to expose the ballasts.
4. Disconnect the wiring harnesses.
5. Remove and replace the old ballasts.
6. Reconnect the wiring harnesses and secure the ballast plate to the housing using the four screws.



Replacement Parts

Contact Pure UV at +1 (859) 908-1515 or visit www.pureuv.net for replacement parts.

WARRANTY

Pure UV warrants OctaClean, excluding bulbs, to be free from defects in the workmanship or materials, under normal use and service, for a period defined in the table below, from the date of purchase by the consumer. If, at any time during the warranty period, the product is defective or malfunctions, Pure UV shall repair or replace it (at Pure UV's option) within a reasonable period of time. If the product is defective, return it, with a dated proof of purchase, to Pure UV. This warranty does not cover removal or reinstallation costs. This warranty shall not apply if the defect or malfunction was caused by damage which occurred while the product was in the possession of a consumer.

THIS WARRANTY IS EXPRESSLY IN LIEU OF ALL OTHER WARRANTIES, EXPRESSED OR IMPLIED, INCLUDING WARRANTIES OF MERCHANTABILITY OR FITNESS FOR PARTICULAR PURPOSE, AND OF ALL OTHER OBLIGATIONS AND LIABILITIES ON PURE UV'S PART, AND PURE UV NEITHER ASSUMES NOR AUTHORIZES ANY PERSON TO ASSUME FOR IT ANY OTHER LIABILITY IN CONNECTION WITH THE SALE OF THE PRODUCTS. PURE UV SHALL NOT BE LIABLE FOR ANY LOSS OR DAMAGE OF ANY KIND, INCLUDING ANY INCIDENTAL OR CONSEQUENTIAL DAMAGES RESULTING, DIRECTLY OR INDIRECTLY, FROM ANY BREACH OF ANY WARRANTY, EXPRESS OR IMPLIED, OR ANY OTHER FAILURE OF THIS PRODUCT.

Component	Period
Enclosure and Mechanical Components	5 years
Electrical Components	2 years

pure UV

Live. Breathe. Clean.

PureUV.net

EPA Est. No. 100268-KY-1